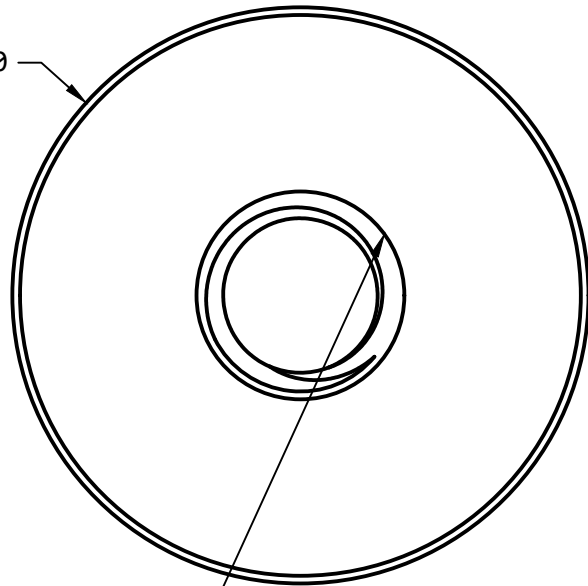
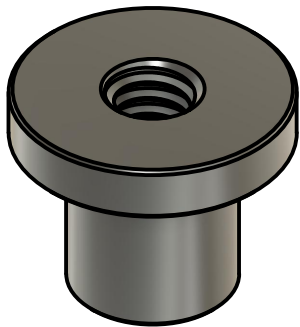
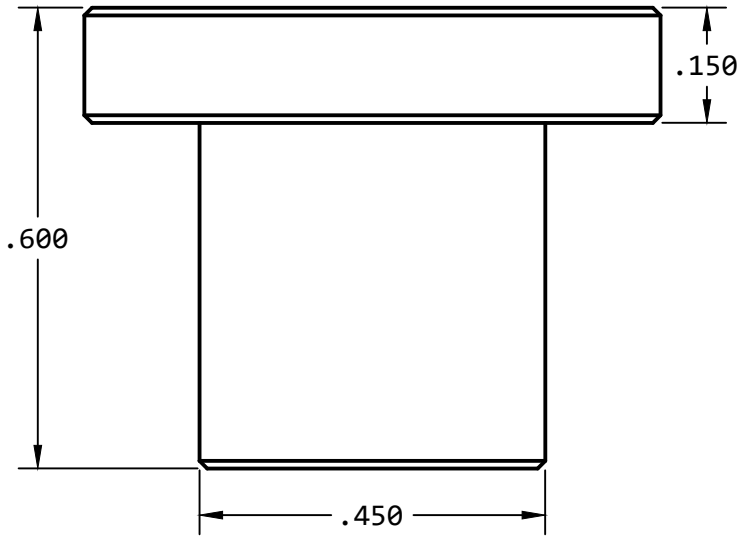


Ø.750



1/4-20 UNC-2B THRU



NOTES:

MATERIAL: 6061-T6 Aluminum
CHAMFERS: MACHINIST'S DESCRETION

UNLESS OTHERWISE SPECIFIED
DIMENSIONS ARE IN INCHES

TOLERANCES:

- ANGULAR $\pm 0.5^\circ$
- FRACTIONAL $\pm 1/32$
- X.X ± 0.015
- X.XX ± 0.010
- X.XXX ± 0.005
- X.XXXX ± 0.0005

PROJECT

Camera Rig Accessories

TITLE

Tentacle Sync E Mount

APPROVED

SIZE

CODE

DWG NO

REV

CHECKED

A

1

DRAWN Daniel Sherman 5/4/2019

SCALE 4:1

WEIGHT

SHEET 1/1