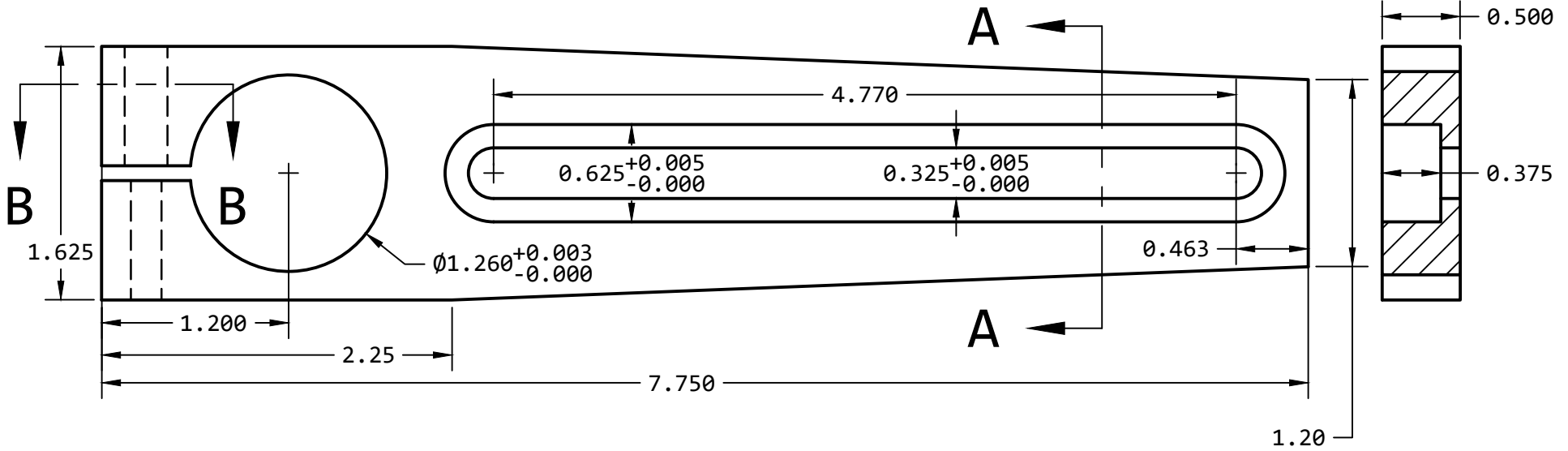


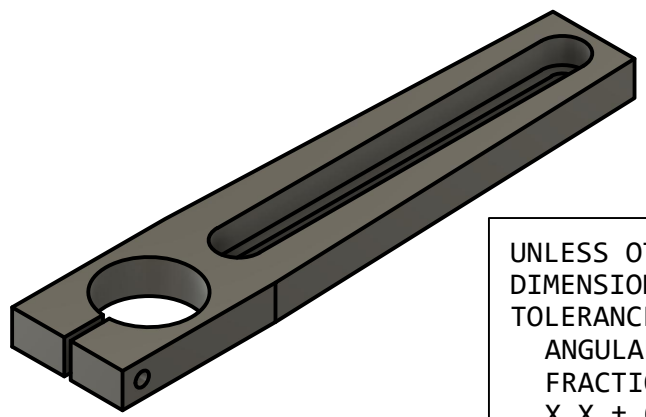


**SECTION A-A**



**NOTES:**

-----  
 MATERIAL: 1018 STEEL  
 SURFACE FINISH: MACHINIST'S DISCRETION  
 CHAMFERS: MACHINIST'S DISCRETION  
 SLOT END SHAPE IS NOT CRITICAL.



UNLESS OTHERWISE SPECIFIED DIMENSIONS ARE IN INCHES TOLERANCES: ANGULAR ± 0.5° FRACTIONAL ± 1/32 X.X ± 0.015 X.XX ± 0.010 X.XXX ± 0.005 X.XXXX ± 0.0005		PROJECT			REV
		8x14 Change Gears			
APPROVED CHECKED		TITLE			A
		Banjo			
DRAWN Daniel Sherman 8/26/2016		SCALE 1:1			